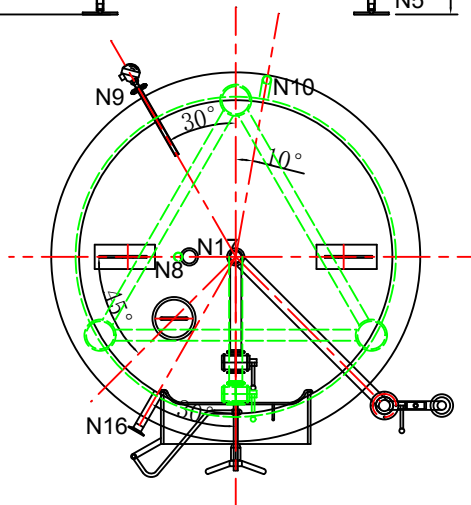
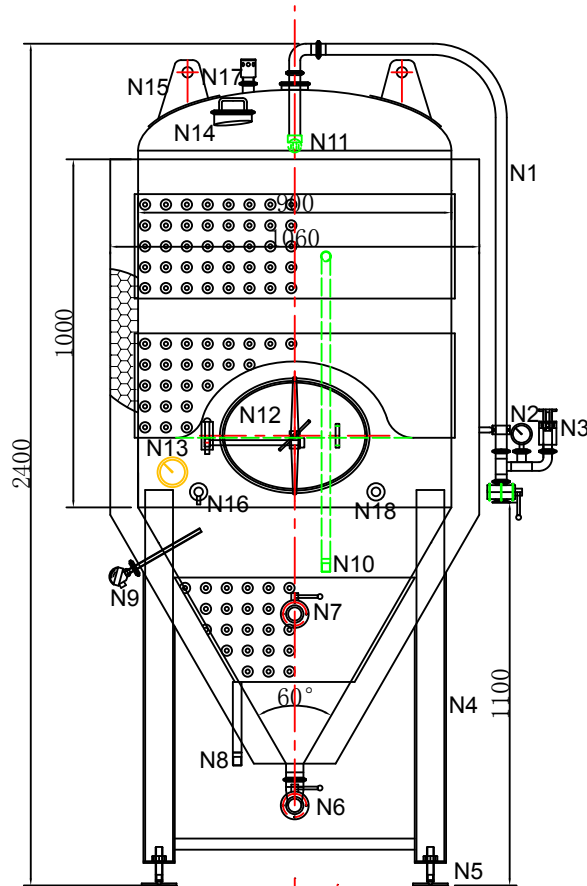




# 5BBL



## Technique parameter

	Vessel	Jacket
Material	SUS304	SUS304
Working pressure Mpa	0.15	0.2
Cooling mode	Alcohol water cooling	
Insulation material	Polyurethane	
Insulation thickness mm	80	
Safetly valve Act pressure MPa	0.2	
Test pressure MPa	0.3	0.4
Effective volume BBL	5	
Total volume BBL	6.25	

## Welding process requirement

		standard
welding wire material	316-sus	GB/T983, YB/T5092, YB/T5094
welding requirements	Both sides welding	JB/T4709-2000

## Specification

Symbol	Spec	Connecting style	Name
N17	88mm	clamp	Safety valve
N16	25mm	clamp	Sampling valve
N15			Hoisting ring
N14	108mm	clamp	Dry hops adding port
N13	NPT20	thread	Dial thermometer
N12	φ330*φ430	quick-open	Manhole door
N11	32mm	thread	Spraying ball
N10	25mm	thread	Ice water outlet
N9	10mm	clamp	Temperature probe
N8	25mm	thread	Ice water inlet
N7	32mm	clamp	Beer out valve
N6	38mm	clamp	Drain valve
N5	M20	thread	Adjusting bolt
N4	102mm	welding	Supporting leg
N3	32mm	clamp	Pressure relief valve
N2	32mm	clamp	Pressure gauge
N1	32mm	clamp	CIP pipe

## Technical requirements:

1. The tank bladder material 304 stainless steel, inner layer plate thickness 3.0 mm, jacket plate thickness 2.0 mm.
2. The inner surface polished to  $Ra < 0.6 \mu m$ . Shell weld shall ensure that the internal level, weld shall be ground flush, can not have uneven edge and scratches.
3. Inside of equipment treat with Acid cleaning passivation.